



T8 DIRECT WIRE MODEL Installation Manual

■ Specification

Product	Luminous Flux	Input Current	Power Consumption	Voltage	Color Temperature	Lamp Base	Max. # of Lamps allowed
FG8C-40T-35/20/11F1	1,950lm	0.122-0.096A	11.7W	100-127V Only	3,500K	G13	6
FG8C-40T-40/20/11F1	1,950lm				4,000K		
FG8C-40T-50/20/11F1	1,950lm				5,000K		
FG8C-40T-35/20/11F27	1,950lm	0.060-0.045A	11.7W	200-277V Only	3,500K		
FG8C-40T-40/20/11F27	1,950lm				4,000K		
FG8C-40T-50/20/11F27	1,950lm				5,000K		

■ Important Safety Instructions

Please read all information before installing the lamps.

- **WARNING - Risk of fire or electric shock. LED Retrofit Kit installation requires knowledge of luminaires electrical systems. If not qualified, do not attempt installation. Contact a qualified electrician.**
- **WARNING - Risk of fire or electric shock. Install this kit only for luminaire. Make sure that the sum of all lamp input ratings does not exceed the rated input of the luminaire. "Max. # of Lamps allowed" in the "Specification" indicates the maximum number of lamps that can be mounted in the minimum lamp compartment dimension (1200 x 530 x 65 mm).**
- **WARNING - To prevent wiring damage or abrasion, do not expose wiring to edges of sheet metal or other sharp objects.**
- **WARNING - To avoid potential fire or shock hazard, do not use this retrofit kit in luminaires employing shunted bi-pin lamp holders.**
- **Installers should not disconnect existing wires from lamp holder terminals to make new connections at lamp holder terminals. Instead installers should cut existing lamp holder leads away from the lamp holder and make new electrical connections to lamp holder lead wires by employing applicable connectors.**
- **Do not make or alter any open holes in an enclosure of wiring or electrical components during kit installation.**
- **USE IN DRY LOCATION ONLY.**
- **DO NOT USE WITH DIMMERS.**
- **THIS DEVICE IS NOT INTENDED FOR USE WITH EMERGENCY EXITS.**

Installation Instruction

Step 1: Verify input voltage of the fixtures to match the rated voltage in Kowa LED lamp.

Step 2: Turn off the power to the light fixture at the source.

Step 3: Remove lens or diffuser cover (if applicable) and existing fluorescent lamps. Identify which ballast type is installed in the fixture, and disconnect the wire at that point as shown in Figure 1 (X marks).

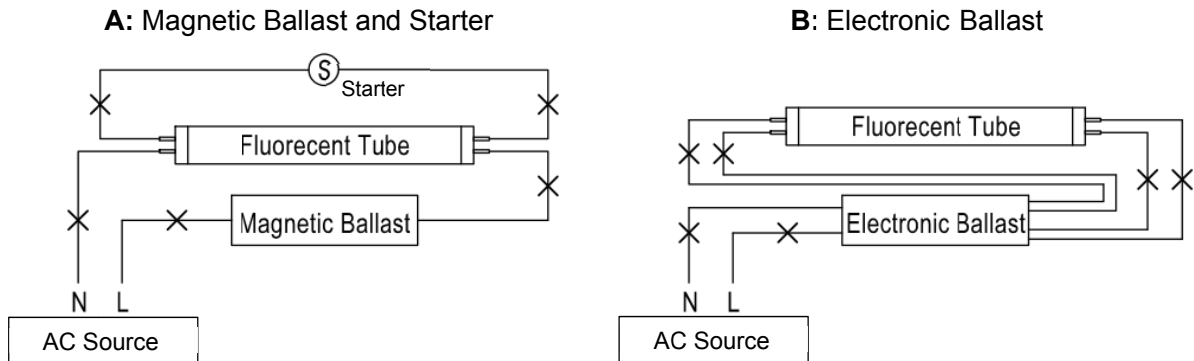


Figure 1

Step 4: Remove the wiring, ballast, and starter (if provided).

Step 5: Use G13 lamp holders Non-Shunted bi-pin as shown in Figure 2.

Step 6: Install the LED lamp to the light fixture. The wiring connection will be shown as Figure 3.

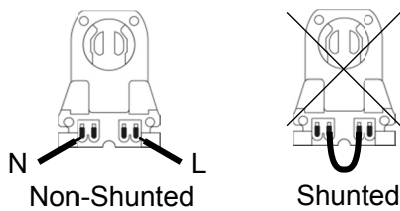


Figure 2

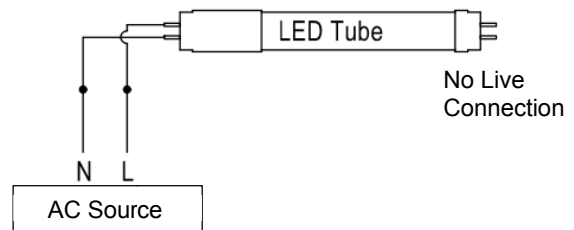


Figure 3

Step 7: Turn on the light fixture and check for proper operation. If the light fixture is nonworking or flickers, turn off the power at the source and check the wiring connection.

Step 8: Attach label (see Figure 4) on a visible location inside the fixture. Check the BOX in the label according to the Type of installed LED lamps.

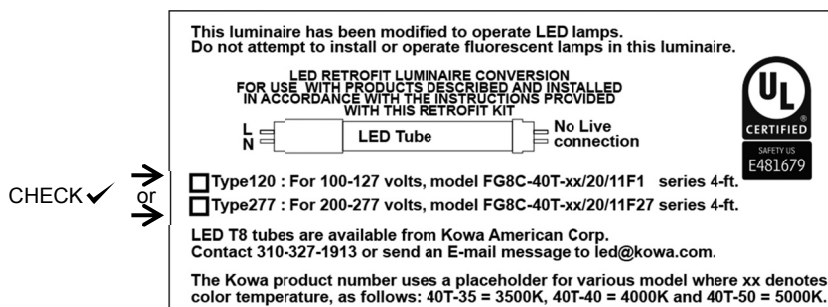


Figure 4

Kowa Kowa American Corporation

20001 South Vermont Avenue
Torrance, California 90502 U.S.A
Phone: +1(310)327-1913
Email: customerservice@kowa.com